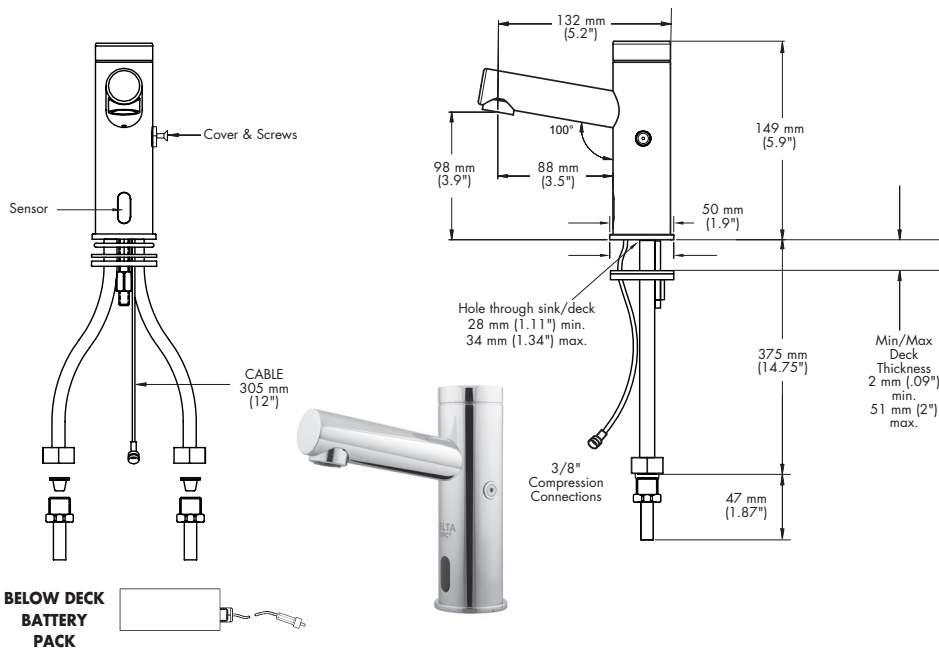


DEMD Series Electronic Lavatory Faucets (Infrared)

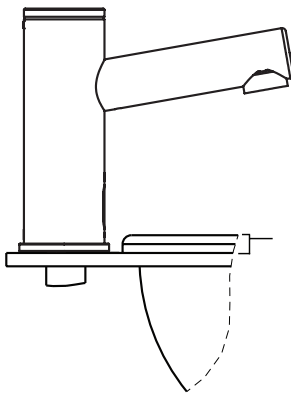
HDF[®]
COMMERCIAL



DEMD-312LF (BATTERY OPERATED WITH TECHNICIAN MIXER)



SENSOR CLEARANCE



For above deck mounted sinks, the sensor requires a clearance.

For sensor clearance:
13 mm (0.5") maximum sink lip height from deck.

HARDWIRE CONVERSION OF DEMD-312LF

Requires **SEPARATE** order of either:

- (A)** One 060958A DEMD plug in power supply, output 9VDC **OR** **(B)** One 060704A hardwire 20VA transformer (120VAC to 24VAC)
PLUS One 060974A DEMD converter (24VAC to 9VDC)

SPECIFICATION: (example)

DEMD-312LF

- Deck mount electronic lavatory faucet with technician's mixer to adjust temperature
- Above deck electronics
- Chrome
- Sensor detects user's hand to activate water flow
- 6 1.5V AA Batteries (included)
- Red light indicator blinks when battery is low
- Vandal resistant (wrench flat)
- 0.5 gpm (1.9 L/min) spray outlet

OPERATION

Sensing Range:

- Factory set to 8.0" ± 1.5" (200 mm ± 40 mm)
- Adjustable from 3.15" to 11.8" (80 mm to 300 mm) with optional remote control

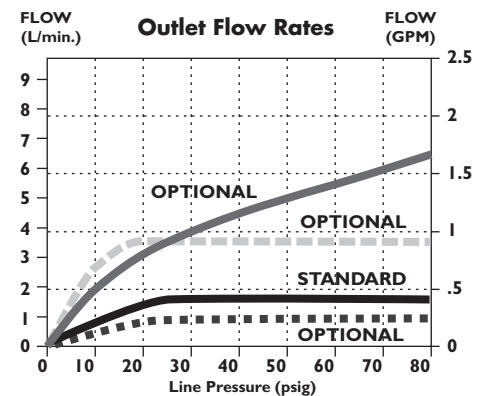
Maximum Run Time:

- 90 seconds, adjustable with remote control

OPTIONAL ACCESSORIES (Order Separately)

- 060967A**
 - Remote Control (Optional) – allows adjustment of sensor range, maximum run time, delayed close time, temporary shutoff for cleaning and factory settings reset
- 060585A**
 - Optional 4" coverplate
- 063256A (Chrome Only)**
 - 0.35 gpm (1.32 L/min) spray outlet
- 060961A**
 - Optional 1.0 gpm (3.8 L/min) aerator
- 061118A**
 - Optional 1.5 gpm (5.7 L/min) Careguard[®] laminar outlet

FLOW RATE vs PRESSURE



Approvals:

- IAPMO certified
- Complies to ASME A112.18.1/CSA B125.1
- Indicates compliance to ICC/ANSI A117.1
- Verified compliant with 0.25% weighted average Pb content regulations

(Contact Delta Representative for State and/or Local Approvals.)

Note: Measurements may vary ± 6mm (0.25")

Delta reserves the right (1) to make changes in specifications and materials, and (2) to change or discontinue models, both without notice or obligation. Dimensions are for reference only. See current full-line price book or www.specselect.com for finish options and product availability.

Refer to www.specselect.com for individual models. Note: Use this page as a product submittal sheet.